

WH Turn M

rotatable universal wall mount

Item no.: 5760

The WH Turn M is a rotatable and tiltable universal wall mount for screens from 46 to 55" | 117 - 140 cm.

The VESA universal mount has VESA 200 x 200, 300 x 300 und 400 x 400 mm.

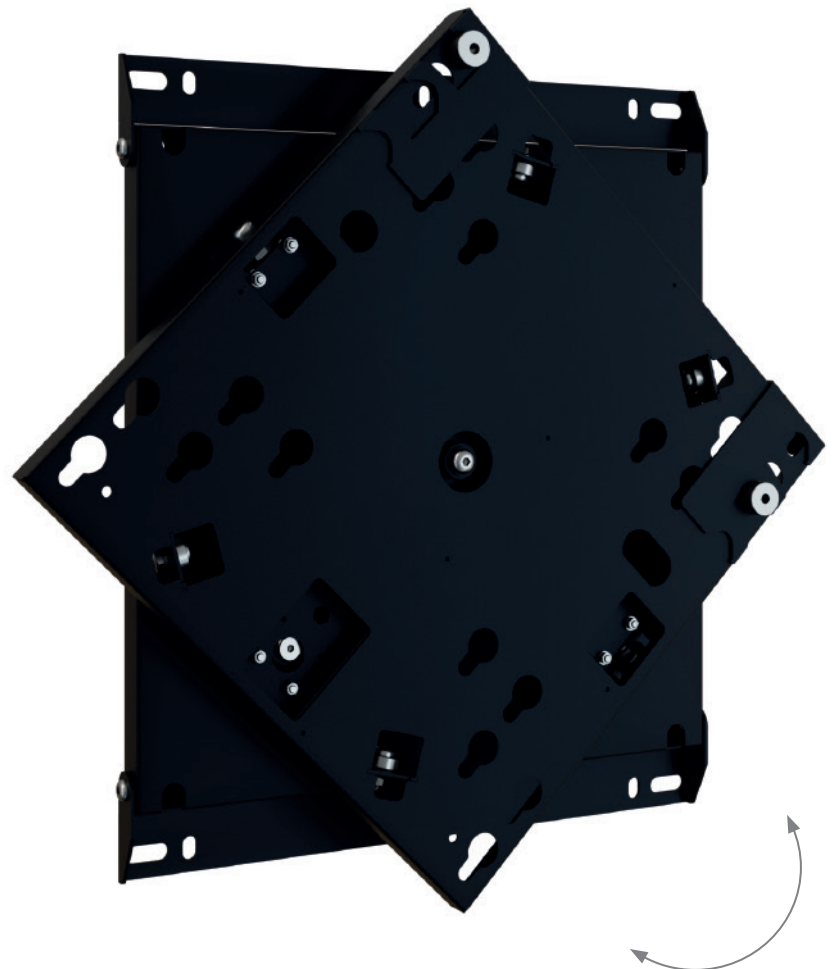
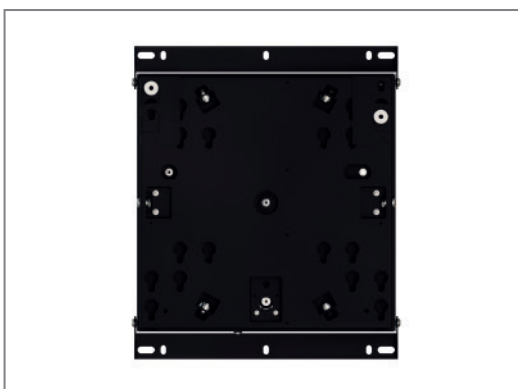
The wall mount allows the screen to be rotated from portrait to landscape orientation and back at any time.

Thanks to the clever spring mechanism, the rotation is possible with almost no effort.

The wall mount locks into the desired end position and can be set in motion again effortlessly without un-locking.

The inclination levels are adjustable - 0° / ±2.5° / ±5°.

The maximum load of the system is 45 kg.

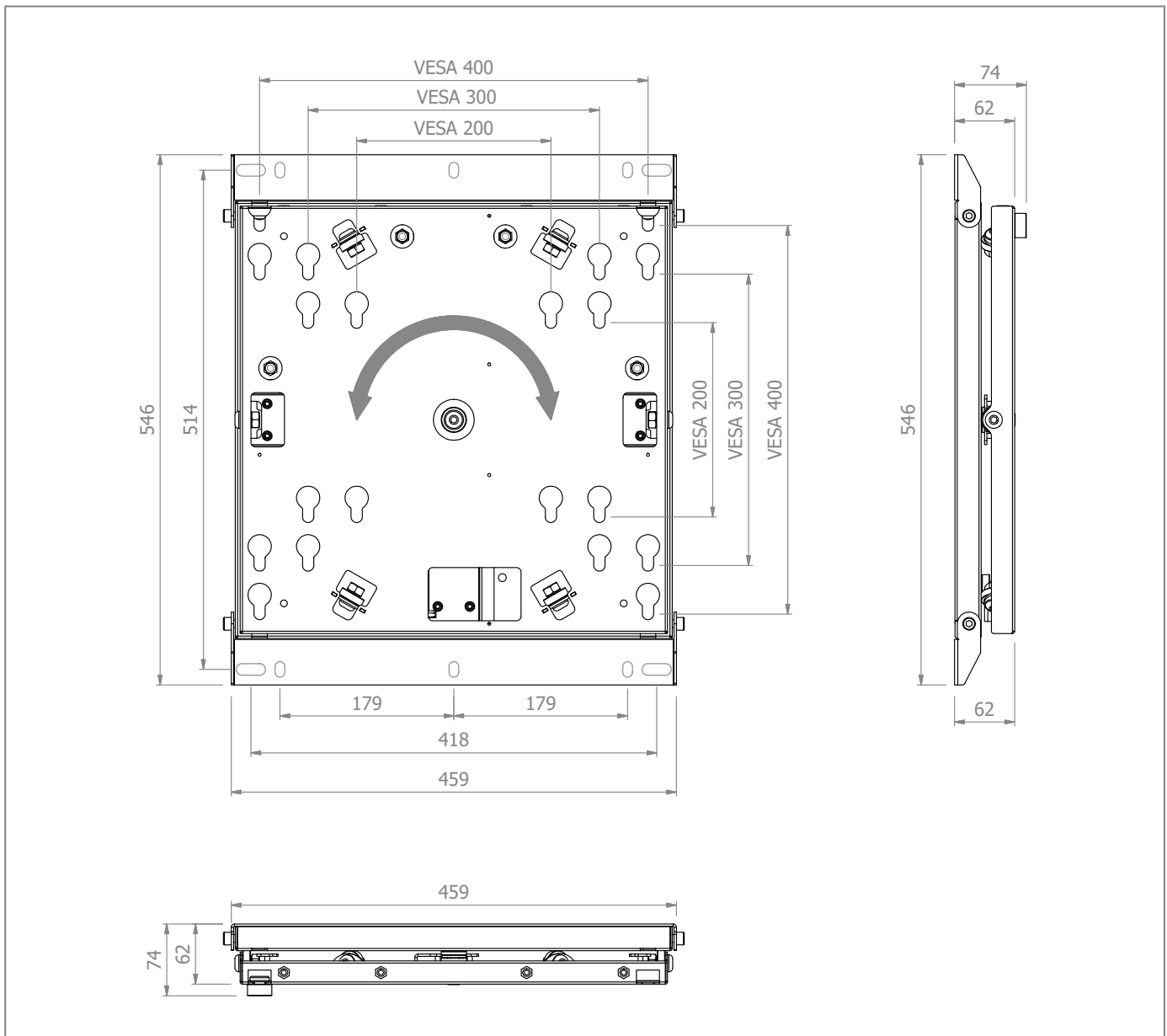


WH Turn M

rotatable universal wall mount

Item no.: 5760

- tiltable and rotatable universal wall mount
- VESA 200x 200, 300 x 300, 400 x 400 mm
- freely rotatable by 90° - locks in final position
- tilting possible (0° / ±2.5° / ±5°)
- continuous change of screen format with no tools needed
- little effort needed thanks to spring mechanism
- clicks in place in the respective final position (0 / 90°)
- distance to wall: 67 mm
- Colour: black
- 45 kg load, max.



Technical changes reserved

WH Turn M

rotatable universal wall mount

Item no.: 5760

